

⚠ WARNING

Improper installation of Vent System and Components, or failure to follow installation instructions, can result in property damage or serious injury.

- Examine all components for possible shipping damage prior to installation;
- Proper joint construction is essential for a safe installation. Follow these instructions exactly as written;
- This venting system must be free to expand and contract. This venting system must be supported in accordance with these instructions;
- Check for proper joint when joining pipe to fittings;
- Check for unrestricted vent movement through, walls, ceilings, and roof penetrations;
- Different manufacturers have different joint systems and adhesives. Do not mix pipe, fittings or joining methods from different manufacturers



Installation Manual

Z-DENS™ Single Wall

COXDENS® PPs
Single Wall Venting
ULC-S636 / Class IIC- Max.110°C



For North American Inquiries:

Z-DENS™

Z-Flex (US) Inc.

Bedford NH 03110-6911

tel: 800.654.5600

www.z-flex.com sales@z-flex.com



Cox Geelen

CONTENTS

Introduction	3
Installation Requirements	3
Approvals/Codes	3
Product specifications	3
CoxDENS® PPs Components	4
General installation conditions	4
Vent Support Spacing	5
Pitch	5
Installation of the CoxDENS® PPs system	6
Dealing with Condensate	8
Termination	9
Vertical Termination	9
Vertical Termination through a masonry Chimney	10
Horizontal Termination	11
Maintenance	12

INTRODUCTION

Single wall CoxDENS® PPs is third party certified to ULC-S636 standard for Class IIC rating (exhaust temperatures up to 110°C (230°F) and CE EN14471. Certified diameters are 60mm (2"), 80mm (3"), 110mm (4"), 125mm (5"), 160mm (6") and 200mm (8"). The following installation instructions are in accordance with the requirements of section 4 of the ULC-S636 Standard.

Single wall CoxDENS® PPs is a vent system for type BH Gas-Venting, for use with ANSI Category II and IV gas burning appliances (condensing boilers) with a max flue gas temperature of 110°C.

In addition, please refer to the appliance manufacturer's instructions for restrictions to the total vent length or height, number of elbows that can be used, sizing of the vent or specifics as to appliance connections before proceeding with the installation of this product. Appliance manufacturer's installation instructions take precedence over this document.

INSTALLATION REQUIREMENTS

Installation and Annual servicing of the CoxDENS® PPs vent system must be performed by a qualified installer, service contractor or gas supplier. The safe operation of a system is based on the use of parts supplied by the manufacturer and the performance of the system may be affected if the combination of these parts is not used in the actual building construction.

Acceptance of the system is dependent upon full compliance with the installation instructions.

Approvals/Codes

The installation has to conform to all relevant local, State, Provincial or National codes. Single wall CoxDENS® PPs venting system is approved for use under ULC-S636 Class II-C gas-fired appliances with a maximum flue gas temperature of 110°C (230°F). Cox Geelen guarantees Single wall CoxDENS® PPs up to a maximum flue gas temperature of 120°C (248°F).

All penetrations of fire rated walls, floors, and ceilings must comply with national and local building codes and regulations, and be approved by the local regulatory authority and/or building inspectors.



Product specifications

- Vent pipes made of flame retardant Polypropylene material (certified for use flue gas in accordance with a European standard DIN EN14471);
- Sealings are made of EPDM;
- Supports of aluminium;
- Supports of galvanized steel;
- Cox Geelen Pipe lubricant Chloride free;
- System diameters:
 - Residential: 60mm (2"), 80mm (3"), 110mm (4");
 - Commercial: 125mm (5"), 160mm (6"), 200mm(8");
- Shaftcover:
 - Cover house is made from HDPE in the colour RAL9005 (Black), sizes 60mm (2"), 80mm (3"), 110mm (4");
 - Cover house is made from Stainless steel and aluminium in the colour RAL9005 (Black), sizes 125mm (5"), 160mm (6"), 200mm(8");
 - Termination pipe is made from UV-stabilized Polypropylene material;
 - Gasket is made of EPDM in the colour RAL9005 (Black);
 - Bird mesh made of stainless steel;
- Concentric Roof termination:
 - Internal vent pipe of flame retardant Polypropylene material;
 - External air pipe of galvanised steel sheet material in the colour RAL9016, sizes Ø60/100mm (Ø2"/4") and Ø80/125mm (Ø3"/5");
 - External air pipe is made of galvanised steel sheet material in the colour RAL9005, only size Ø110/160mm (Ø4"/6");
 - Termination cap is made of UV-stabilized Polypropylene material in the colour RAL9005, only Ø60/100mm (Ø2"/4") and Ø80/125mm (Ø3"/5");
 - Roof flashing is made of non-lead butyl flashing with Polyethylene swivels;
 - Roof flashing for flat roof is made of aluminium;
- Single Wall Roof termination:
 - Internal vent pipe of flame retardant Polypropylene material;
 - External pipe is made of galvanised steel sheet material in the colour RAL9005, only size 125mm (5"), 160mm (6"), 200mm(8");
- Concentric Wall termination:
 - Internal vent pipe of flame retardant Polypropylene material;
 - External air pipe of galvanised steel sheet material in the colour RAL9016, sizes Ø60/100mm (Ø2"/4") and Ø80/125mm (Ø3"/5");

- Nozzle is made of Polypropylene in the colour RAL7001, sizes Ø60/100mm (Ø2"/4") and Ø80/125mm (Ø3"/5");
- External air pipe of galvanised steel sheet material without separate nozzle in the colour RAL9016, only size Ø110/160mm (Ø4"/6");
- Internal wall plate is made of Galvanised steel and aluminium in the colour RAL 9016;
- Outside EPDM Wall plate is in the colour RAL7001 (grey);
- Plume Management Kit:
 - Termination pipes are made from UV-stabilized Polypropylene material, only for vent system Ø60mm (2"), Ø80mm (3");
 - Supports of PVC;
 - Bird mesh made of stainless steel.

COXDENS® PPs COMPONENTS

For a list of ULC-S636 approved CoxDENS® PPs components, please consult the CoxDENS® PPs catalogue at www.coxgeelen.com.

General installation conditions

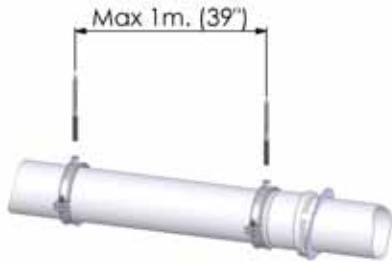
1. Do not install CoxDENS® PPs in areas where ambient air temperature exceeds 150°C (302°F).
2. Do not store the CoxDENS® PPs system in a corrosive environment, and keep protected from UV light (ideally in it's packaging).
3. The maximum continuous vertical vent length is unlimited, the maximum distance between the supports is 2m (78"), see figure 1. Always refer to the manufacturer's instruction for appliance specific vent limitations.
4. The horizontal installation length is unlimited, the maximum distance of a non vertical installation between the supports is 1m (39")*, see figure 2. The venting system has to be sloped upwards not less than 50mm (2") per 1000mm (39") from the appliance to the vent terminal, see figure 3. Always refer to the manufacturer's instruction for appliance specific vent limitations.

*NOTE: To meet requirements of ULC-S636, the maximum distance of a non vertical installation between the brackets of the vent system 2" (Ø60mm) is 0,5m (19").

5. CoxDENS® PPs system expand and contract slightly during heating cycles. This vent system has to be supported in accordance with these instructions.
6. Appliances can be operated immediately upon the completion of the CoxDENS® PPs Vent System installation.
7. The vent pipe of CoxDENS® PPs is rated to a maximum of 5000Pa (0.725psi) or 20" of water column.
8. The maximum flue gas temperature for CoxDENS® PPs is 110°C (230°F) for ULC-S636 compliant installations. Cox Geelen guarantees CoxDENS® PPs up to a maximum flue gas temperature of 120°C (248°F).
9. Cox Geelen Pipe lubricant (art.no. 0005CA000), especially made for the assembly of exhaust pipes in plumbing and heating systems. May be applied to all gaskets for ease of assembly. Don't use another Pipe lubricant.
10. Free standing components (i.e., above a roof) must not exceed a maximum vertical height of 1m (39") (Wind load). When the freestanding length is greater, the flue liner has to be stabilized. The maximum distance between the outer surface of the flue liner and the wall is 50mm (2") (subjected to bracket strength).
11. The minimum clearance to combustibles materials is zero, 0mm (0").
12. Unless approved by the appliance manufacturer, only one appliance may be attached to the vent system.
13. Do not use CoxDENS® PPs with any other manufacturer's vent components. Cox Geelen CoxDENS® PPs components must be used exclusively throughout the entire vent system.

Vent Support Spacing

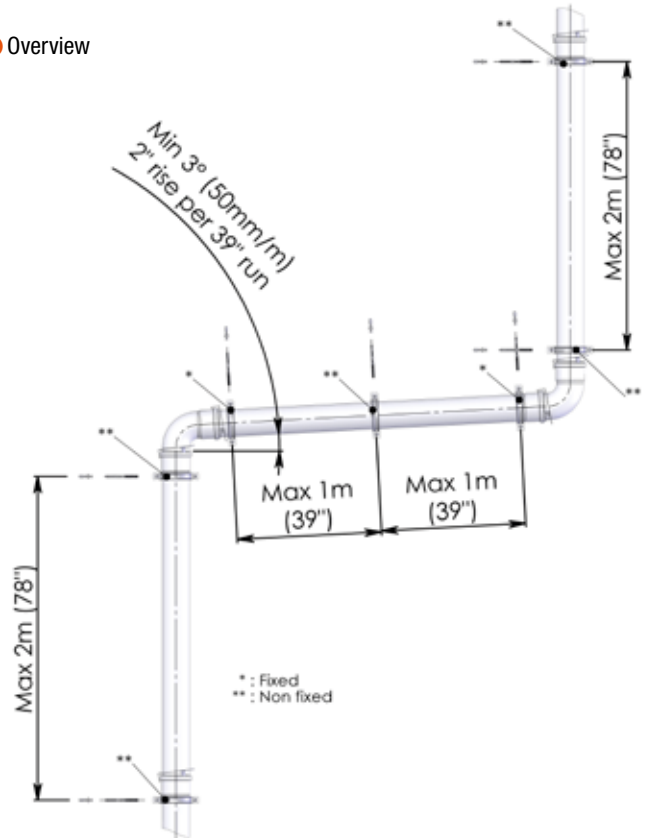
1 Typical horizontal support spacing



2 Typical vertical support spacing

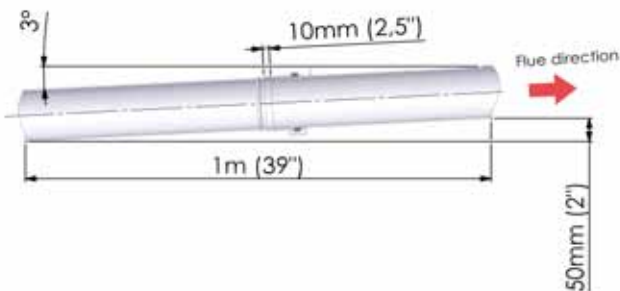


Overview



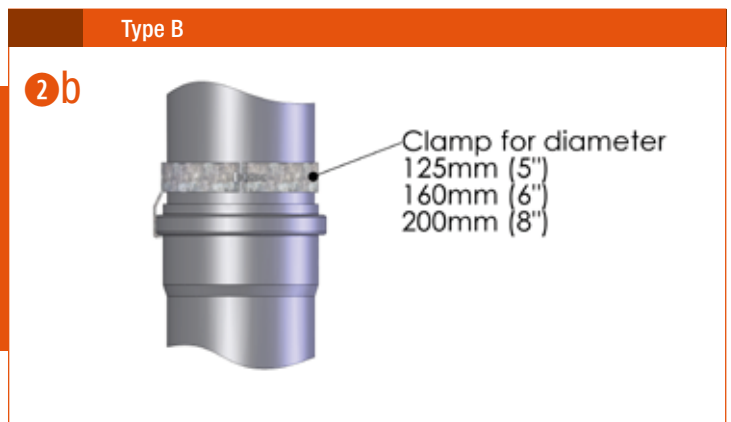
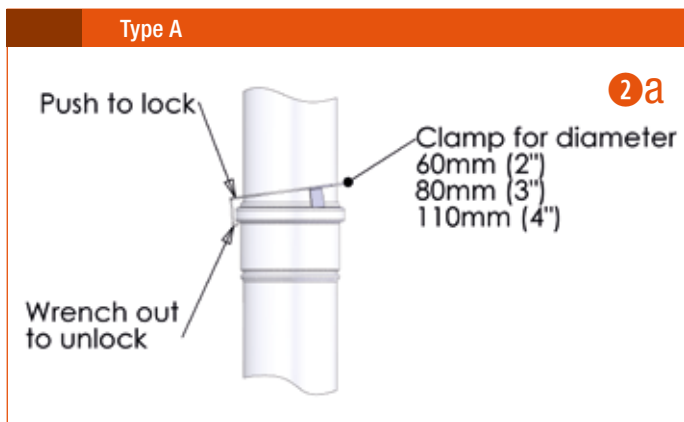
Pitch

3 Typical horizontal situation



INSTALLATION OF THE COXDENS® PPs SYSTEM

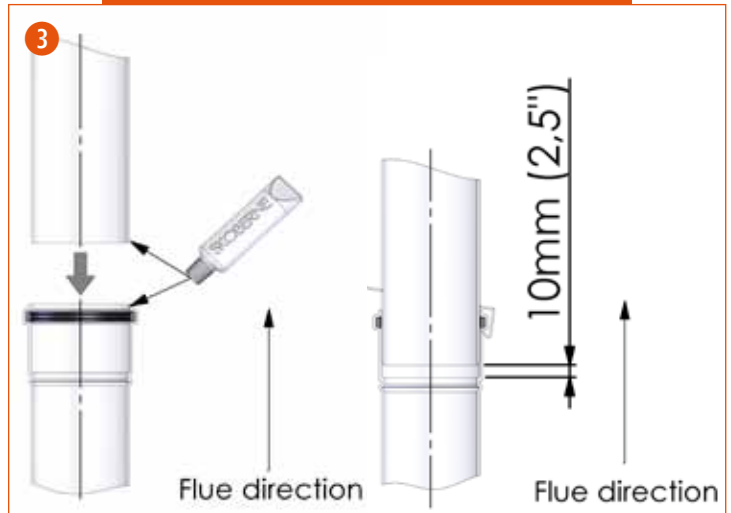
- Check the presence of the seals and their correct placement; ❶
- Installation: before putting the sections together, the push in spigot and the black seals have to be rubbed with special Chloride free Pipe Lubricant (only obtainable at Cox Geelen BV), so that a smooth installation is possible;
- A locking clamp is required at every vent joint. Slide the locking clamp over the male-end of the pipe with the hook facing the joint (Type ❷a for size 2", 3", 4" and Type ❷b for size 5", 6" and 8");



- The installation of the separate sections will be connected by pushing the male-end together with the female-end and snap the hook over the gasket bead to secure the two vent parts together; ❸

ATTENTION: NEVER USE SCREWS OR ADHESIVES FOR CONNECTIONS OF THIS SYSTEM. SYSTEM IS DESIGNED FOR USE WITH CLAMPS AS STATED ABOVE ONLY!

- The metal support can only be mounted on the body of the vent pipe. Determine the location where the support anchor bolt will mount into the wall or framing member. Mount the anchor bolt into the wall at that location. Install the body of the support onto the anchor bolt by rotating the body of the support with the nut onto the threads of the anchor bolt. Open the support bracket to wrap around the body of the CoxDENS® vent pipe. Secure the support around the vent pipe by tightening the 2 bolts of the support. ❹



- After locking the venting parts, the complete vent system has to be fixed to the building construction with the supports. For vertical installation the maximum distance between the supports is 2m (78") and for non-vertical installation the maximum distance between the supports is 1m (39"). The venting system has to be sloped upwards not less than 50mm (2") per 1000mm (39") from the appliance to the connection with the vent terminal.
- Don't install the system upside down in order to avoid leakage of condensate.
- Making a specific length: when a pipe section is too long, it's possible to shorten this (e.g. with a hacksaw).
- Making a specific length: when a pipe section is too short, it can be extended by use of an adjustable pipe.
- Remove burrs at the pipe ends.



⚠ CAUTION
Damage to the gasket can result in the dangerous release of carbon monoxide!

DEALING WITH CONDENSATE

Always read the Appliance manufacturers installation instructions in conjunction with those from Cox Geelen.

If the appliance manufacturers installation instructions state that condensate cannot be discharged through the boiler appliance then the flue gas condensate must not be allowed to flow back to the boiler. This can be achieved by fitting the condensate trap and drain component into the CoxDENS® PPs flue system.

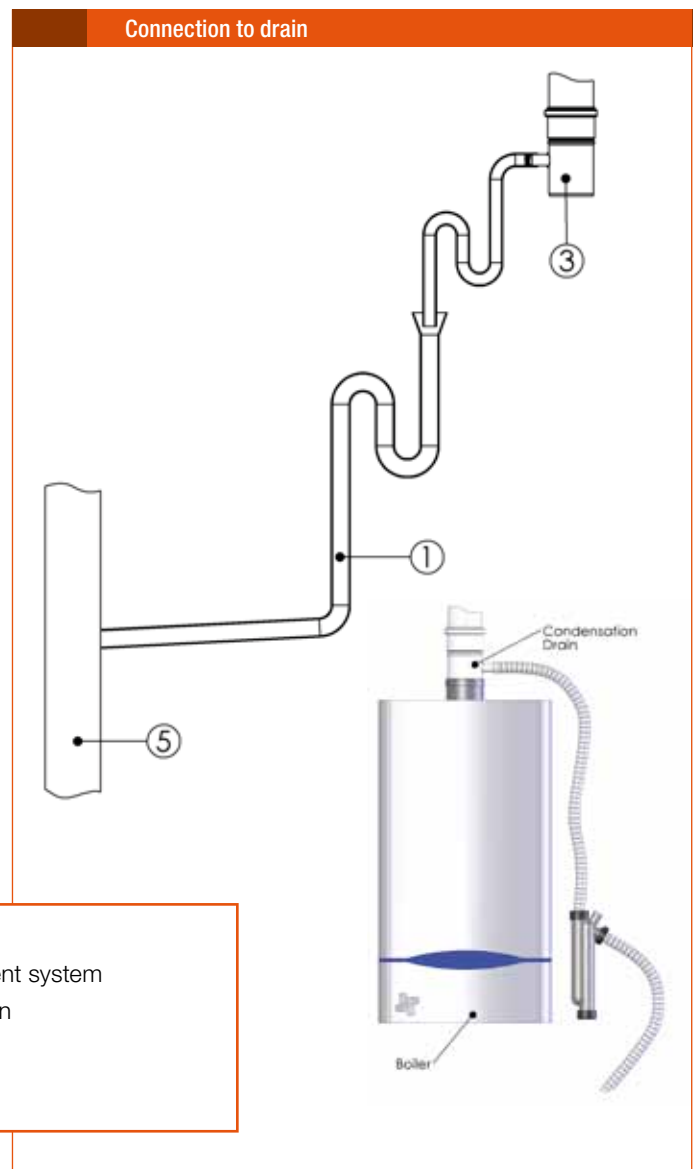
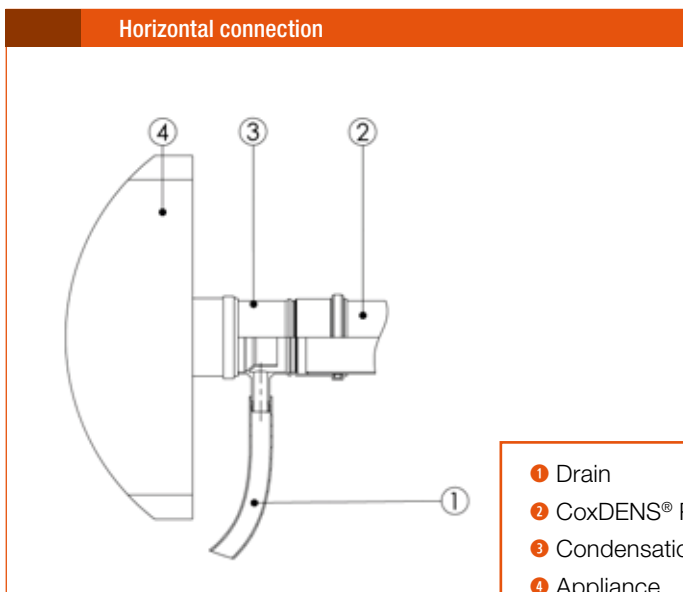
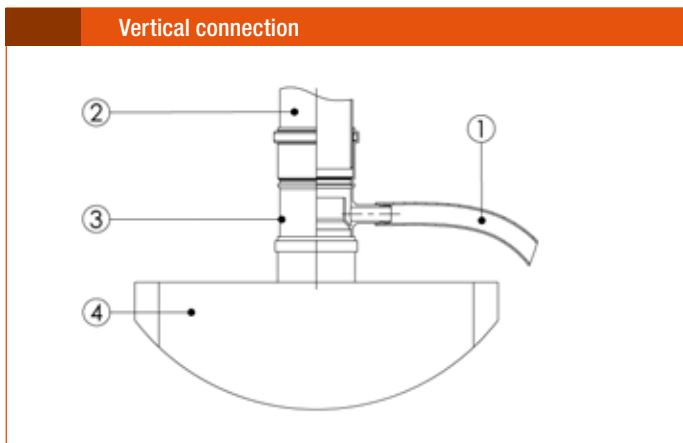
Regardless of boiler appliance flue system installation mode - Vertically or Horizontally - the condensate trap and drain can be fitted - see diagrams below. The condensate trap's drain off pipe must be connected to a condensate resistant tube of minimum internal diameter ¾", then via a siphon/ airlock controlled outflow to a secured "open" connection to the sewer drain or neutralising system. An appropriately sized siphon/airlock MUST be fitted to maintain room sealed conditions, preventing flue gas emissions

into the boiler room and equally to prevent back flow of fumes from the sewer discharge point.

To avoid condensate freezing and disruption of normal operation of the appliance the condensate evacuation pipe routing should be suitably arranged internally wherever possible.

Exposure of condensate collection and discharge pipe work to extreme temperatures and UV light should be avoided at all times. Condensate removal and disposal must conform to NEN 3287 and NEN 3215. All components within this condensate collection and discharge system should be manufactured in condensate resistant materials- this can be assured by use of the Cox Geelen siphon and drain pipe (part no 0004.CA.000).

The condensate removal components, siphon and discharge pipe work must be inspected and maintained annually by suitably qualified appliance service engineers ideally at the annual service of the appliance.



- ① Drain
- ② CoxDENS® PPs vent system
- ③ Condensation drain
- ④ Appliance
- ⑤ Drainage - canal

TERMINATION

Vertical Termination

- If the position of the roof terminal is specified, make a hole in the roof:
 - a) For terminal Ø60/100mm (Ø2"/4") and Ø80/125mm (Ø3"/5") with a minimum of Ø130mm (Ø5,5") depending on the roof sloping;
 - b) For terminal Ø110/160mm (Ø4"/6") with a minimum of Ø170mm (Ø7") depending on the roof sloping;
- For a good water seal, install the correct roof flashing on the roof;
- Install the roof terminal vertically through the roof flashing and fix them with the support to the inside of the roof;
- The roof terminal is now ready to connect with the other vent parts.

Typical sloping roof situation



Typical flat roof situation



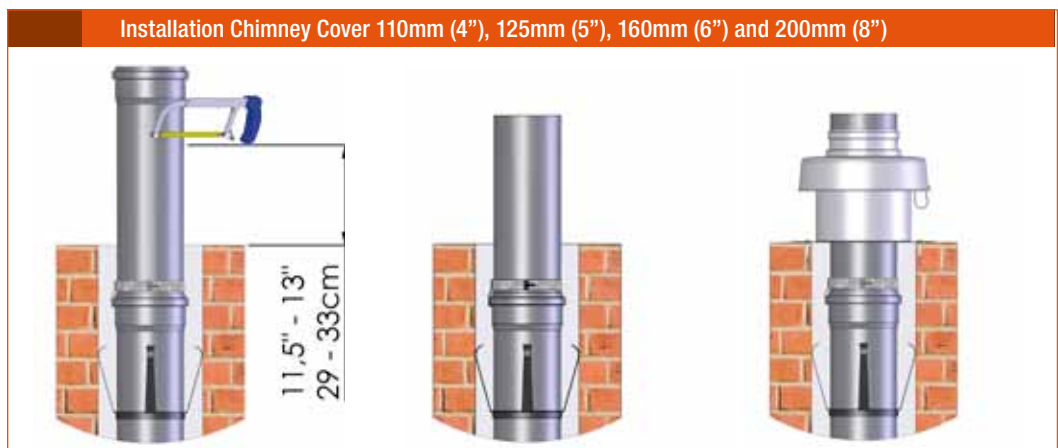
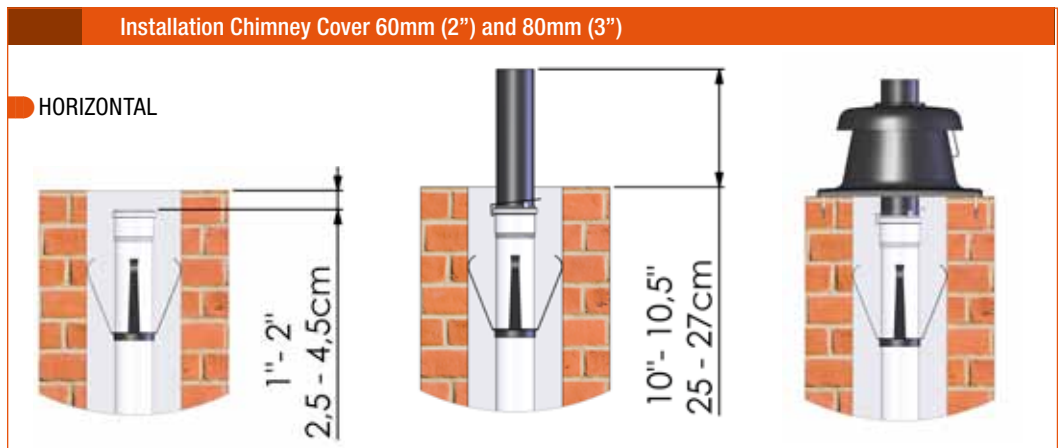
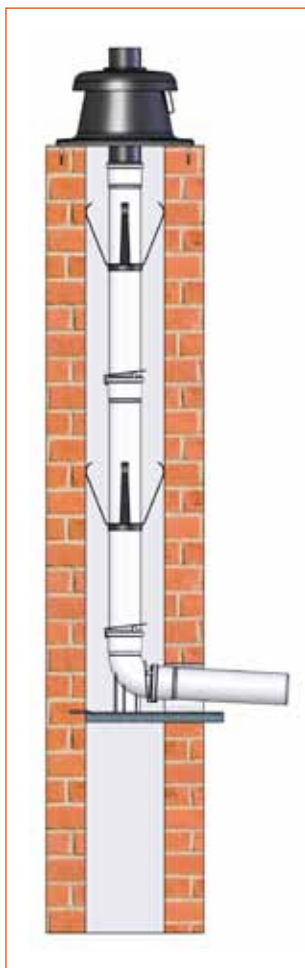
VERTICAL TERMINATION THROUGH A MASONRY CHIMNEY

When using a masonry chimney as a passageway for CoxDENS® PPs, the chase must be structurally sound and free of any debris or obstructions;

- If only supported with a base support at the bottom and a standard chimney cover at the top, the maximum continuous vertical vent length for a rigid CoxDENS® PPs vent system cannot exceed 164" (50m);
- Multiple CoxDENS® PPs vent or air intake systems can be installed into one chase;
- Affix Spacers onto each vent or air intake (offset them), then pull or lower them individually or bundled into the Chase;

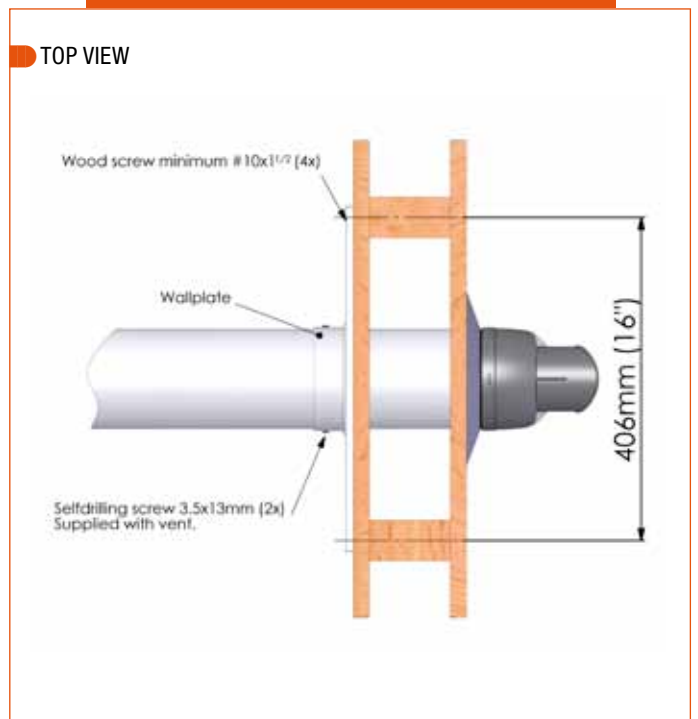
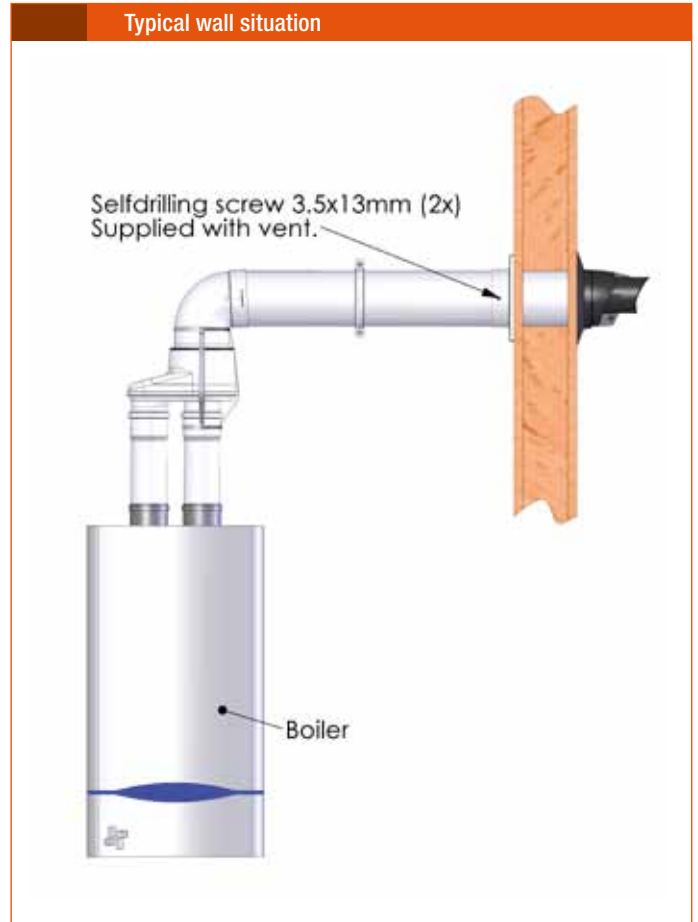
- CoxDENS® PPs expand slightly during normal operation. CoxDENS® PPs pipe can expand upwards through the Chimney Cover;
- Install a Base Support bracket just below the entry point into the chase;
- Measuring from the base support, attach spacers at intervals of 78" (2m) or less to the rigid pipe.

NOTE: Spacers serve to keep CoxDENS® PPs away from rough surfaces and to avoid damage to the pipe during installation or normal operation. They do not have a support function. Attach Spacers to the pipe even if the chase is larger than the reach of the Spacers.



TERMINATION

- If the position of the wall terminal is specified, make a hole in the wall with a minimum of
 - a) $\varnothing 105\text{mm}$ ($\varnothing 4,1''$) for terminal $\varnothing 60/100\text{mm}$ ($\varnothing 2''/4''$);
 - b) $\varnothing 130\text{mm}$ ($\varnothing 5,1''$) for terminal $\varnothing 80/125\text{mm}$ ($\varnothing 3''/5''$);
 - c) $\varnothing 165\text{mm}$ ($\varnothing 6,5''$) for terminal $\varnothing 110/160\text{mm}$ ($\varnothing 4''/6''$);
- For a good water seal, install the correct wall sealing on the outside of the wall;
- Install the wall terminal horizontally to the wall and fasten with 4 timber screws;
- To lock the system, turn two self-drilling screws $\varnothing 3,5 \times 13\text{mm}$ (supplied with vent) into the predrilled holes of the wall bracket and through the metal air pipe. Don't use longer screws as it may damage the internal pipe;
- The wall terminal is now ready to connect with the other vent parts.



ADDITIONAL PLUME MANAGEMENT KIT FOR VENT SYSTEM Ø60MM (2") AND Ø80MM (3")

However the siting of the flue terminal often causes a plumbing problem. Especially when you have a wall terminal going straight out through the wall. This problem can easily be solved by repositioning the flue outlet. All the Cox Geelen ECONEXT® wall terminals are provided standard with the special nozzle. With this nozzle you have the possibility to mount a Plume Management Kit within minutes. Just by removing the nozzle and easily clicking the Plume Management Kit on the system in every desired angle.

Installation of the Plume Management Kit (PMK)

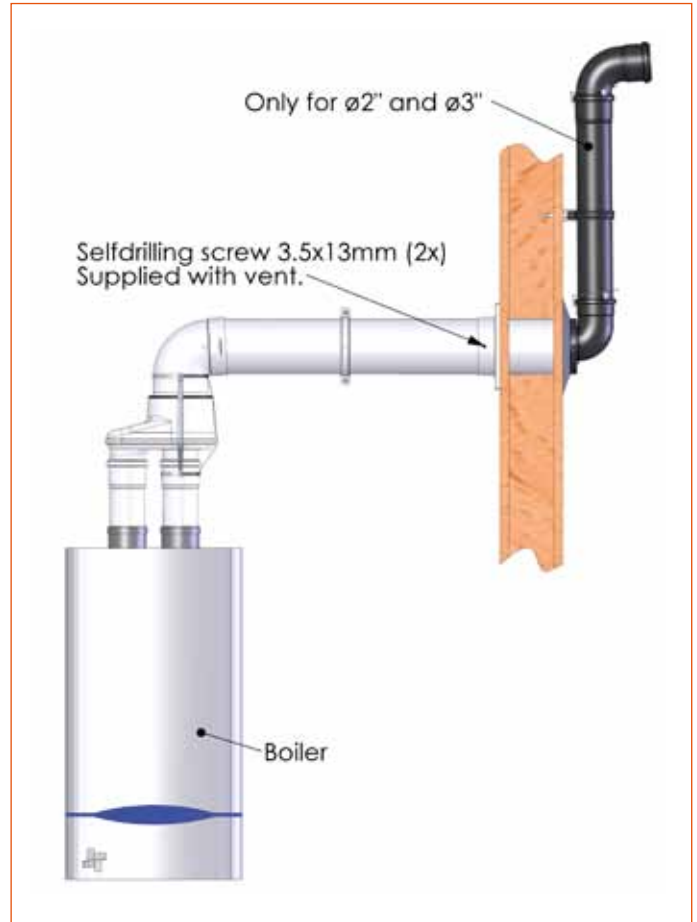
- Remove the nozzle of the wall terminal with a screwdriver;
- Mount the ECONEXT® PMK bend 90°. Its main advantage is that you can install this bend into the necessary angle by simply turning the outlet;
- Connect the black vent pipe to the PMK bend;
- Use two supports for the fixation of the vent pipe to the wall and secure every vent joint by a locking clamp;
- Connect the 87° bend with bird mesh to the last mounted vent pipe to finish the installation.

Terminations must be in accordance with the appliance manufacturer's instructions, local building code requirements, CAN/CSA-B149.1 and CAN/CSA-B149.2.

MAINTENANCE

Cox Geelen recommends that gas appliances using CoxDENS® PPs venting should be checked once a year by a qualified installer.

These Recommendations were issued on 10-1-2013 by:



For North American Inquiries:

Z-DENS™

Z-Flex (US) Inc.

Bedford NH 03110-6911

tel: 800.654.5600

www.z-flex.com sales@z-flex.com

Cox Geelen

Emmastraat 92 • 6245 HZ Eijsden • PO-Box 6 • 6245 ZG Eijsden • The Netherlands
T +31 (0)43 40 99 500 • F +31 (0)43 40 91 987 • sales@coxgeelen.com • www.coxgeelen.com
Chamber of Commerce Limburg 14608324

Member of **BERGSCHENHOEK GROEP**

AVERTISSEMENT

Une mauvaise installation du système d'évacuation et de ses composants, ou une mauvaise interprétation des instructions de montage, peuvent entraîner des dommages matériels ou des blessures graves.

- Avant le montage, examiner toutes les pièces pour s'assurer qu'elles n'ont pas subi de dommage pendant le transport
- Une installation est sans danger essentiellement si les conduits sont correctement assemblés. Suivre ces instructions à la lettre.
- Les conduits d'entrée d'air et de sortie de gaz de combustion doivent être libres de se dilater et se contracter, et pour cela ils doivent être fixés selon ces instructions.
- Lors de l'assemblage ; veiller à ce que tous les éléments du conduit soient bien ajustés
- Vérifier que le flux d'évacuation ne soit pas entravé dans les passages des murs, plafond, et toit
- Les systèmes de raccordement et de fixation diffèrent selon les fabricants, en conséquence ne surtout pas mélanger conduits, systèmes de fixation ou de raccordement de fabricants différents.



Manuel d'Installation

COXDENS[®] PPs Le Conduit simple
ULC-S636 / Class IIC- Max.110°C



For North American Inquiries:

Z-DENS™

Z-Flex (US) Inc.

Bedford NH 03110-6911

tel: 800.654.5600

www.z-flex-com sales@z-flex.com



Cox Geelen

TABLE DES MATIÈRES

Introduction	3
Conditions d'installation	3
Homologations/règlements	3
Spécifications produits	3
Composés CoxDENS® PPs	4
Conditions générales d'installation	4
Distance entre supports	5
Degré de pente	5
Installation du système CoxDENS® PPs	6
Condensats	8
Terminal	9
Terminal vertical	9
Installation verticale a travers la cheminee maconnee	10
Terminal Horizontal	11
Maintenance	12

INTRODUCTION

Le Conduit simple CoxDENS® PPs est certifié par un organisme indépendant à la norme ULC-S636 standard pour Classe IIC (température maximale des gaz de combustion 110°C (230°F) et CE EN 14471. Diamètres certifiés : 60mm (2"), 80mm (3"), 110mm (4"), 125mm (5"), 160mm (6") et 200mm (8"). Les instructions d'installation suivantes sont conformes avec les critères de la section 4 de la norme ULC-S636.

CoxDENS® PPs est un système d'évacuation de type Gas-Vent-BH, pour ANSI de classe II et IV à gaz (chaudières à condensation) avec des gaz brûlés à une température maximale de 110°C.

Se conformer impérativement aux instructions du fabricant de la chaudière à propos des limitations concernant les conduits :

- Diamètre
- Hauteur
- Longueur
- Nombre de coudes

CONDITIONS D'INSTALLATION

L'installation et l'entretien annuel du système CoxDENS® PPs doit être effectué par un installateur qualifié, une société de maintenance ou un fournisseur de gaz.

L'utilisation des pièces fournies par le fabricant garantit un fonctionnement sans risque et la performance du système pourrait être affectée si les conduits n'étaient pas correctement assemblés. L'acceptation du système repose entièrement sur sa totale conformité avec les instructions d'installation.

Homologations/Règlements

L'installation doit être conforme à tout règlement local et National. Le système de conduits de fumée CoxDENS® PPs est homologué sous le n° ULC-S636 de la Classe II-C des chaudières à gaz pour une température maximum de 110° (230°F) dans ses conduits. Cox Geelen garantit CoxDENS® PPs pour une chaleur maximum de 120° (248°F) dans ses conduits.

La protection incendie des murs, planchers et plafonds doit répondre aux normes nationales, aux règlements de copropriétés des immeubles et être approuvée par les autorités légales concernées.



Spécifications produits

- Conduit des fumées avec retardant de flamme en Polypropylène (homologué en conformité avec la norme européenne DIN EN 14471);
- Joints en EPDM;
- Supports en aluminium;
- Support en acier galvanisé;
- Lubrifiant sans chlorure Cox Geelen pour l'emboîtement des conduits;
- Diamètres des conduits: 60mm (2"), 80mm (3"), 110mm (4"), 125mm (5"), 160mm (6"), 200mm (8");
- Chapeau de cheminée:
 - Le chapeau de cheminée est en HDPE de couleur Ral 9005 (noir), diamètres: 60mm (2"), 80mm (3"), 110mm (4");
 - Le chapeau de cheminée est en acier inoxydable RAL9005 (noir), diamètres: 125mm (5"), 160mm (6"), 200mm (8");
 - Le conduit terminal est en Polypropylène résistant aux UV;
 - Le joint est en EPDM de couleur RAL9005 (noir);
 - La grille de protection est en acier inoxydable;
- Terminal Vertical concentrique (toit):
 - Conduit interne des fumées avec retardant de flamme en Polypropylène, homologué en conformité avec la norme européenne DIN EN 14471;
 - Conduit externe d'air en acier galvanisé coloris RAL 9016, diamètres Ø60/100mm (Ø2"/4") et Ø80/125mm (Ø3"/5");
 - Conduit externe d'air en acier galvanisé coloris RAL 9005, seulement en Ø110/160mm (Ø4"/6");
 - Chapeau de sortie en Polypropylène résistant aux UV coloris 9005, seulement pour Ø60/100mm (Ø2"/4") et Ø80/125mm (Ø3"/5");
 - Base du solin en butyl sans plomb avec rotules en polyéthylène;
 - Solin de toit plat est en aluminium;
- Terminal Vertical (toit) pour conduit simple:
 - Conduit interne pour la fumée en Polypropylène avec retardant de flamme ;
 - Conduit externe est en acier galvanisé de couleur RAL9005, diamètres 125mm (5"), 160mm (6"), 200mm (8");
- Terminal mural concentrique:
 - Conduit interne des fumées avec retardant de flamme en Polypropylène, homologué en conformité avec la norme européenne DIN EN 14471;
 - Conduit externe d'air acier galvanisé coloris RAL 9016, diamètres Ø60/100mm (Ø2"/3") et Ø80/125mm (Ø3"/5");
 - Nez de terminal en polypropylène coloris RAL 7001 (gris),

diamètres Ø60/100mm (Ø2"4") et Ø80/125mm (Ø3"5").

- Conduit externe d'air en acier galvanisé sans nez séparé coloris RAL 9016, seulement en Ø110/160mm (Ø4"6");
- Plaque de finition intérieure en acier galvanisé ou alu coloris RAL 9016;
- Plaque de finition extérieure en EPDM;
- Kit d'installation:
 - Le conduit terminal est en Polypropylène, seulement pour les conduits de ventilation Ø60mm (2"), Ø80mm (3");
 - Les supports sont en PVC;
 - Les grilles de protection (anti-oiseaux) sont en acier inoxydable.

COMPOSÉS COXDENS® PPs

Pour consulter la liste des homologations ULC-S636 des composants CoxDENS® PPs veuillez consulter le catalogue sur le site www.coxgeelen.com.

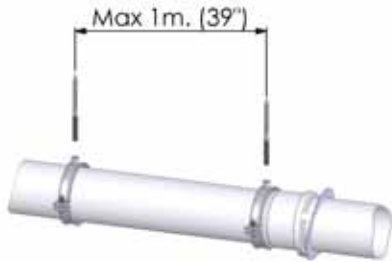
Conditions générales d'installation

1. Ne pas installer CoxDENS® PPs dans des zones où la température ambiante excède 150° (302°F).
2. Stocker les éléments CoxDENS®PPs dans un environnement NON-corrosif et à l'abri des UV (idéalement dans son emballage).
3. La distance maximum entre les supports est de 2m (78"), voir figure 1. A propos des conduits, se référer impérativement aux instructions du fabricant de la chaudière pour la hauteur maximale tolérée.
4. La distance maximale entre les colliers d'une installation horizontale est de 1m (39")*, voir figure 2. Les conduits doivent être installés avec une inclinaison montante de 50mm (2") par 1000m (39") depuis la chaudière jusqu'au terminal, voir figure 3. Sauf si avis contraire du fabricant de chaudière. A propos des conduits, se référer impérativement aux instructions du fabricant de la chaudière pour la longueur maximale tolérée.
5. Les conduits PPs sont amenés à se dilater et se contracter. Le système de conduits doit être fixé à l'aide des supports selon les instructions.
6. La chaudière peut fonctionner immédiatement après l'installation des conduits CoxDENS® PPs.
7. Le conduit intérieur CoxDENS® PPs est conçu pour une pression maximale de 5000Pa (0.725psi) ou une colonne d'eau de 20".
8. D'après la norme européenne ULC-S636, la température du gaz autorisée pour les conduits CoxDENS® PPs est de 110° (230°F) maximum. CoxGeelen garantit ses conduits CoxDENS® PPs pour une température maximale de 120° (248°F).
9. Le lubrifiant Cox Geelen (art.n° 0005CA000) a été fabriqué spécialement pour assembler les conduits dans les installations de plomberie et chauffage. Ne pas utiliser un autre lubrifiant.
10. La hauteur du terminal sur le toit ne doit pas dépasser une hauteur maximum de 1m (39") à cause de la charge au vent. Si la hauteur est supérieure, le terminal devra être maintenu. La distance maximum entre la surface externe du terminal et le mur est de 50mm (2") (limite résistance collier de fixation).
11. La distance minimum de matériaux inflammables est 0 mm (0").
12. Une seule chaudière doit être raccordée au système de conduits, sauf indication contraire du fabricant de chaudière.
13. Ne jamais utiliser les composants CoxDENS®PPs avec des composants de fabrication différente.

*NOTE: Pour être conforme à la norme ULC-S636, la distance maximale entre les supports de conduits 2" (Ø60mm) ne doit pas excéder 0,5m (19").

Distance entre supports

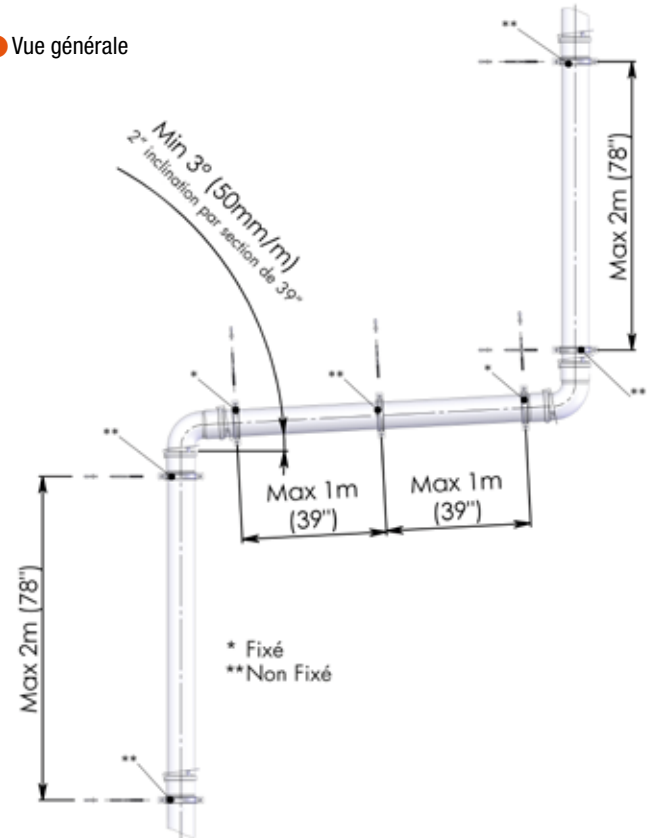
1 Distance entre supports horizontaux



2 Distance entre supports verticaux

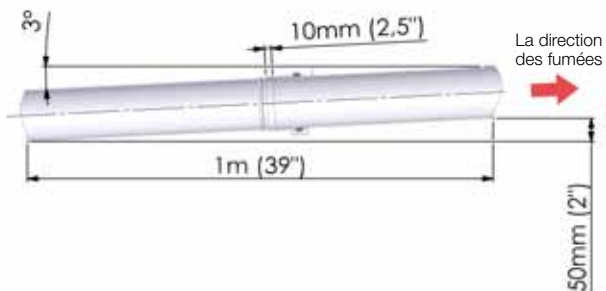


Vue générale



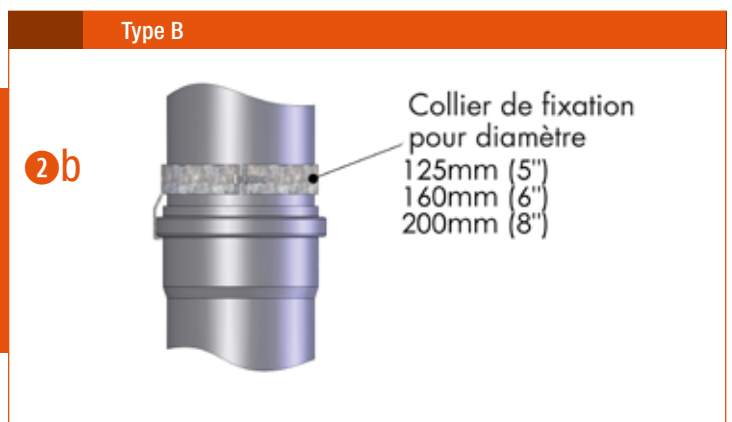
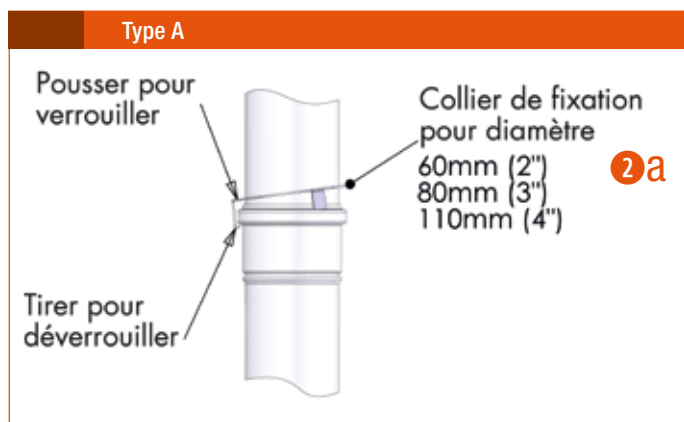
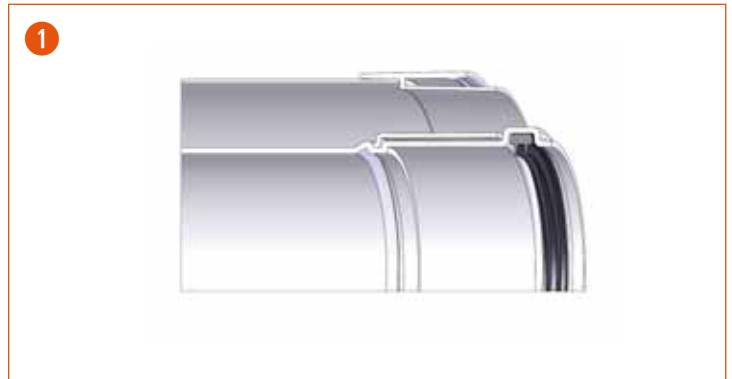
Degré de pente

3 Degré de pente horizontale



INSTALLATION DU SYSTÈME COXDENS® PPs

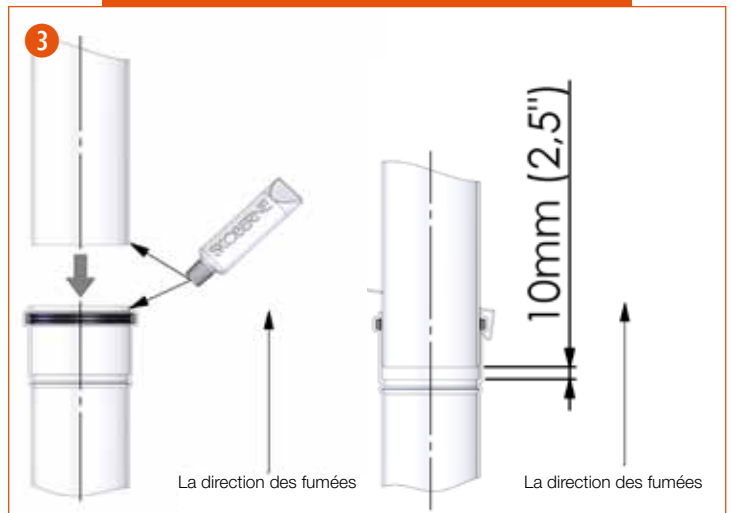
- Vérifier que les joints sont bien à leur place ; ❶
- Installation: avant d'assembler les éléments, l'embout et les joints noirs doivent être enduits du lubrifiant sans chlorure Cox Geelen pour faciliter l'opération ;
- Un collier de fixation doit être monté à chaque jointure. Glisser le l'onglet sur la terminaison mâle du conduit avec l'ergot face au joint (Type ❷a pour 2", 3", 4" and Type ❷b pour 5", 6" and 8");



- Assembler les segments de conduit en introduisant une terminaison mâle dans une terminaison femelle puis faire glisser l'ergot par-dessus le joint et le cliquer pour verrouiller la jonction des deux segments; ❸

ATTENTION: NE JAMAIS EMPLOYER DE VIS POUR SOLIDARISER LES CONNEXIONS. NE JAMAIS UTILISER DE VIS OU D'ADHÉSIF POUR MAINTENIR LES CONNEXIONS, CAR CE SYSTÈME EST CONÇU POUR ÊTRE UTILISÉ UNIQUEMENT AVEC DES COLLIERES DE SERRAGE COMME INDIQUÉ CI-DESSUS!

- Les supports métalliques ne doivent être posés que sur le conduit de ventilation. Déterminer l'emplacement des points d'ancrage des supports dans le mur ou sur le bâti. Installer les boulons d'ancrage aux emplacements voulus. Visser les supports dans les boulons ancrés dans le mur. Ouvrir les supports et les fixer autour du conduit d'aération CoxDENS® PPs. Sécuriser chaque support sur le conduit à l'aide des 2 boulons prévus pour; ❹



- Après avoir verrouillé les conduits, fixer l'ensemble du système au mur à l'aide des supports. Pour une installation verticale, la distance maximum entre les supports est de 2m (78") et pour une installation non-verticale la distance maximum entre les supports est 1m (39"). Les conduits doivent avoir une inclinaison montante de 50mm (2") par 1000m (39") depuis la chaudière jusqu'au terminal;
- Ne pas assembler les conduits à l'envers afin d'éviter les fuites de condensat;
- Longueur spécifique: si un conduit est trop long il est possible de le raccourcir à l'aide d'une scie à métaux;
- Longueur spécifique: si un conduit est trop court il peut être rallongé à l'aide de conduits ajustables;
- Ebarber l'embout du conduit.



⚠ ATTENTION!

Un joint endommagé peut entraîner des fuites dangereuses de monoxyde de carbone!

CONDENSATS

Respecter les instructions du fabricant de chaudière de même que celles de Cox Geelen.

Si les instructions du fabricant de la chaudière spécifient que les condensats ne doivent pas s'écouler dans la chaudière alors le conduit de fumée ne doit pas refouler les condensats vers la chaudière. Le problème peut être résolu en montant un récupérateur de condensats CoxDENS® et son drain sur le système.

Le récupérateur de condensats CoxDENS® et son drain peut être monté sur un conduit horizontal ou vertical – voir diagrammes ci-dessous.

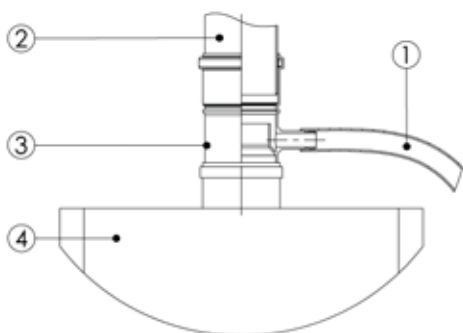
Le drain du récupérateur de condensats doit être raccordé à un tube résistant aux condensats de diamètre interne de 15mm minimum, lequel via un syphon avec sas est connecté à un circuit d'évacuation des eaux ou à un neutraliseur des condensats.

Pour éviter un gel des condensats et un dysfonctionnement de la chaudière, le circuit d'évacuation des condensats doit être installé à l'intérieur.

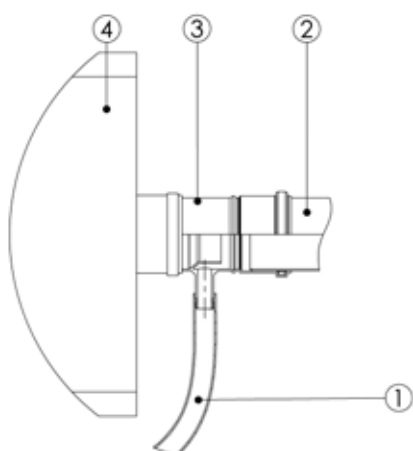
Les condensats ainsi que les déchets du tuyau d'évacuation ne doivent pas être exposés à des températures extrêmes ni aux UV. La récupération et l'élimination des condensats doivent être conformes aux normes EN 3287 et EN 3215. Tous les éléments utilisés pour la récupération et l'élimination des condensats doivent être fabriqués dans des matériaux résistants aux condensats – ainsi que le sont le syphon et le drain flexible de Cox Geelen (part no 0004.CA.0-00).

Le récupérateur de condensats, syphon et drain doivent être inspectés et entretenus par des ingénieurs qualifiés lors de la maintenance annuelle.

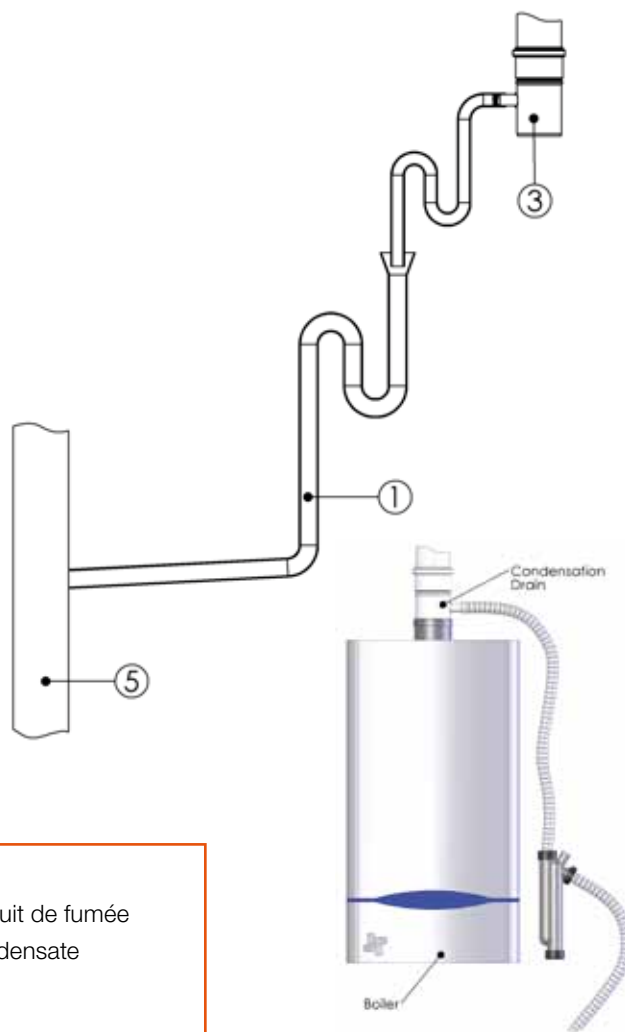
Connexion verticale



Connexion horizontale



Connexion canal de drainage



- ① Conduit d'évacuation
- ② CoxDENS® PPs conduit de fumée
- ③ Récupérateur de condensate
- ④ Chaudière
- ⑤ Canal de drainage

TERMINAL

Terminal vertical

- Aménager un passage dans le toit à l'endroit choisi :
 - a) d'un \varnothing minimum de 130mm ($\varnothing 5,5''$) (selon la pente du toit) pour terminal $\varnothing 60/100$ mm ($\varnothing 2''/4''$) ou $\varnothing 80/125$ mm ($\varnothing 3''/5''$).
 - b) d'un \varnothing minimum de 170mm ($\varnothing 7''$) (selon la pente du toit) pour terminal $\varnothing 110/160$ mm ($\varnothing 4''/6''$)
- Pour une bonne étanchéité, installer le solin adéquat sur le toit;
- Installer le terminal vertical en l'enfilant dans le solin et l'assujettir avec la pièce de fixation sous le toit

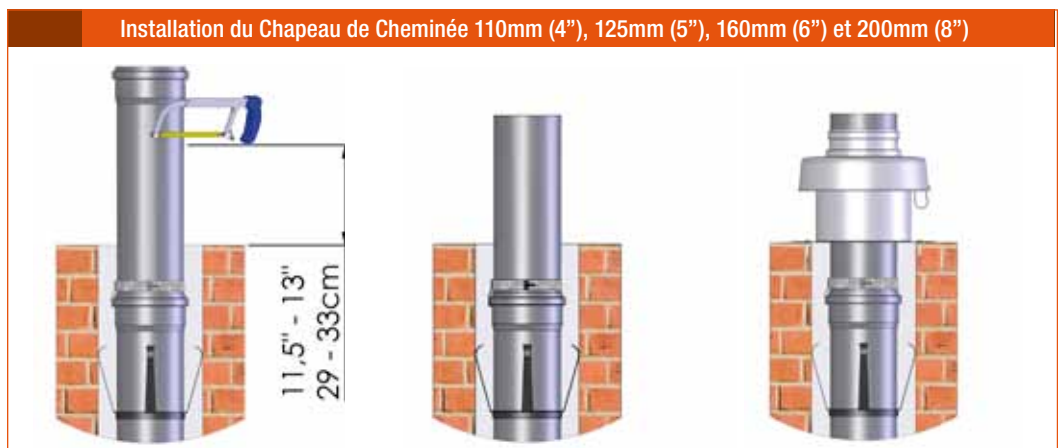
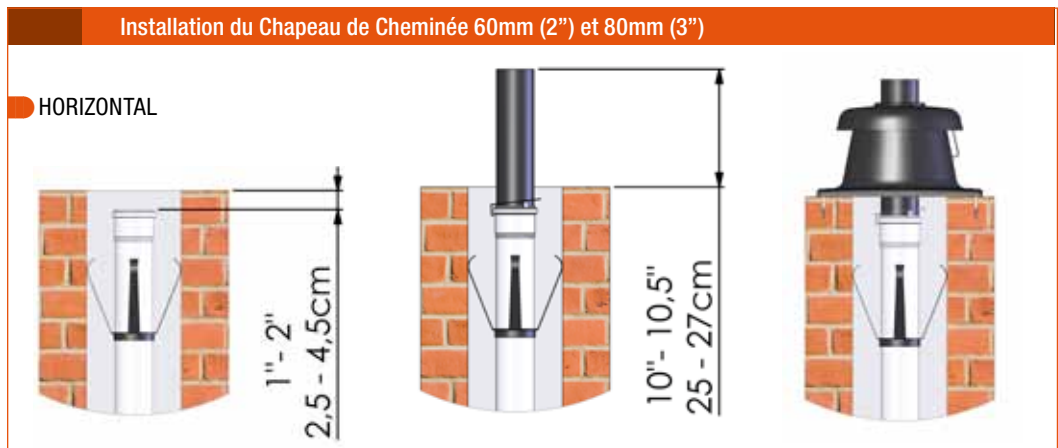
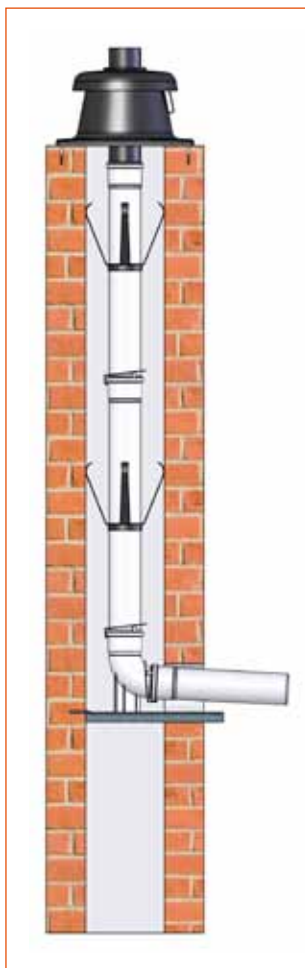


INSTALLATION VERTICALE A TRAVERS LA CHEMINEE MACONNEE

- Lorsqu'on installe des conduits CoxDENS® PPs dans un conduit de cheminée en maçonnerie existant, la structure des parois doit être saine et libre de tout débris ou obstruction.
- Lorsqu'un conduit CoxDENS® PPs rigide n'est maintenu que par le support à la base de son point de départ et par the chapeau de cheminée à la sortie, la longueur maximale verticale autorisée est de 164" (50m);
- Plusieurs installations de CoxDENS® PPs rigides peuvent être installés dans une même conduit de cheminée existant ;
- Poser des écarteurs sur chaque conduit de ventilation ou de prise d'air (à intervalles équilibrés),

- CoxDENS® se dilate légèrement pendant le fonctionnement et se détend vers le haut dans le chapeau de cheminée.
- Installer un Support à la base, juste à l'entrée dans le conduit existant de cheminée;
- A partir de la base, fixer les écarteurs sur le conduit rigide à intervalle de 78" (2m) ou moins.

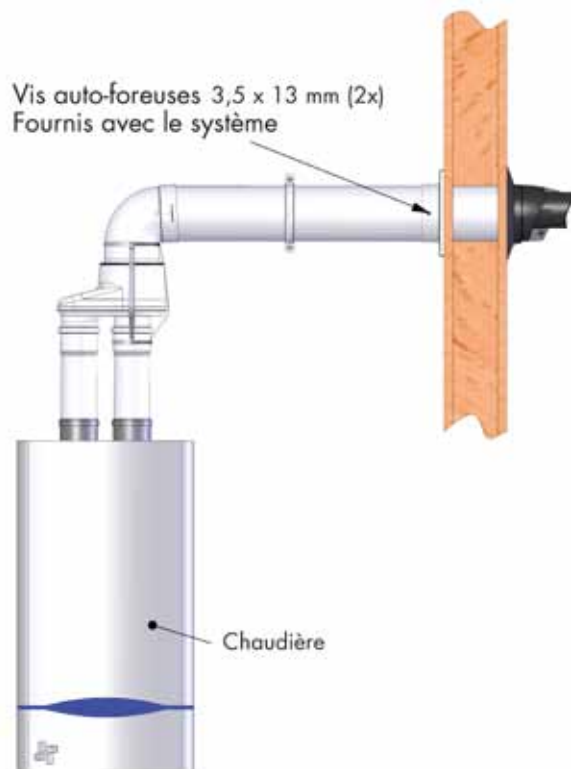
NOTE: Les Ecarteurs maintiennent CoxDENS® PPs éloigné des rugosités de la paroi et évite d'endommager les conduits lors de l'installation. Leur fonction n'est pas de supporter le conduit. Poser des écarteurs même lorsque le diamètre du passage est plus grand que les écarteurs.



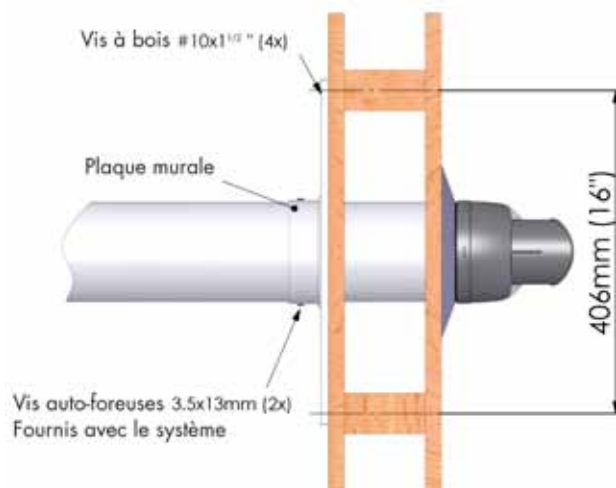
TERMINAL HORIZONTAL

- Aménager un passage dans le toit à l'endroit choisi
 - a) $\varnothing 105\text{mm}$ ($\varnothing 4,1''$) pour terminal $\varnothing 60/100\text{mm}$ ($\varnothing 2''/4''$);
 - b) $\varnothing 130\text{mm}$ ($\varnothing 5,1''$) pour terminal $\varnothing 80/125\text{mm}$ ($\varnothing 3''/5''$);
 - c) $\varnothing 165\text{mm}$ ($\varnothing 6,5''$) pour terminal $\varnothing 110/160\text{mm}$ ($\varnothing 4''/6''$);
- Pour une bonne étanchéité, monter le joint mural approprié à l'extérieur du mur ;
- Passer le terminal horizontal au travers du mur et le fixer avec le collier mural à l'intérieur du mur à l'aide des 4 vis ;
- Pour verrouiller le système, visser deux vis auto-foreuses $\varnothing 3,5 \times 13\text{mm}$ (fournis) dans les trous prévus sur le collier mural et au travers du conduit métallique. Ne pas utiliser de vis plus longue afin de ne pas endommager le conduit interne;
- Le terminal mural est maintenant prêt à être raccorder aux conduits.

Configuration murale type



VUE D'EN HAUT



KIT ADDITIONNEL POUR SYSTÈME DE VENTILATION Ø60MM (2") ET Ø80MM (3")

Le positionnement de la sortie de la fumée d'un terminal mural peut poser problème. Ce problème peut être résolu en déplaçant la sortie de la fumée à l'extérieur du mûr. Tous les terminaux ECONEXT® de Cox Geelen sont équipés d'un embout (nez) spécial qui peut être enlevé facilement à l'aide d'un tournevis et remplacé par un PMK (Plume Management Kit) qui se clique aisément dans la position désiré.

Installation d'un Kit PMK (Plume Management Kit):

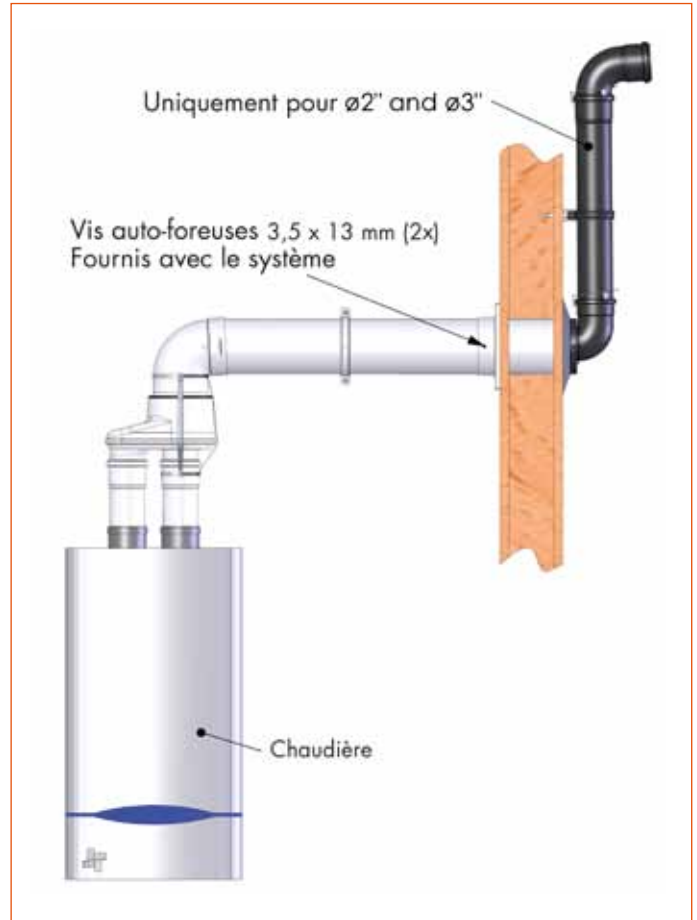
- Enlever l'embout (nez) du terminal à l'aide d'un tournevis;
- Monter le coude 90° ECONEXT® PMK et le positionner dans l'angle voulu en le faisant simplement pivoter;
- Monter le conduit noir sur le coude PMK;
- Fixer le conduit de ventilation au mûr avec les 2 supports de fixation et solidariser chaque jointure avec un collier de serrage;
- Monter le coude de 87°, préalablement équipé de la grille de protection, sur le conduit final.

Les terminaux doivent être en conformité avec les instructions du fabricant de Chaudière, et les règlements de l'immeuble concerné, CAN/CSA-B149.1 et CAN/CSA-B149.2.

MAINTENANCE

Cox Geelen recommande que les chaudières à gaz utilisant les conduits CoxDENS® PPs doivent être vérifiés annuellement par un installateur qualifié.

Recommandations éditées le 10 -1-2013



For North American Inquiries:
Z-DENS™
Z-Flex (US) Inc.
Bedford NH 03110-6911
tel: 800.654.5600
www.z-flex.com sales@z-flex.com

Cox Geelen

Emmastraat 92 • 6245 HZ Eijsden • PO-Box 6 • 6245 ZG Eijsden • The Netherlands
 T +31 (0)43 40 99 500 • F +31 (0)43 40 91 987 • sales@coxgeelen.com • www.coxgeelen.com
 Chamber of Commerce Limburg 14608324

Member of **BERGSCHENHOEK GROEP**